



V.90 PCI  
DATA/FAX  
MODEM

56K PCI Master™

User's Manual



# Table Of Contents

<b>Contacting <i>Actiontec</i> Customer Support</b> .....	<b>3</b>
<b>Product Registration</b> .....	<b>4</b>
<b>Safety Information</b> .....	<b>4</b>
<b>Product Features</b> .....	<b>6</b>
<b>Package Contents</b> .....	<b>6</b>
<b>Installing the Modem</b> .....	<b>7</b>
<i>Hardware Installation</i> .....	7
<b>Device Driver Installation and Configuration</b> .....	<b>10</b>
<i>Configuring Windows 95</i> .....	10
<i>Configuring Windows 95 OSR2</i> .....	10
<i>Configuring Windows 98</i> .....	11
<i>Configuring Windows NT 4.0</i> .....	12
<i>Configuring DOS and Windows 3.1X</i> .....	14
<i>Windows 3.1X</i> .....	15
<i>Configuring OS/2 WARP</i> .....	16
<i>Configuring UnixWare</i> .....	17
<i>Configuring the Modem For Linux (Verified for Red Hat 5.2 and 6.0)</i> .....	18
<i>Configuring Your Modem's Country Code</i> .....	25
<b>AT Commands Affecting ITU-T V.90 Operation</b> .....	<b>26</b>
<b>Help and Service Information</b> .....	<b>28</b>
<i>General Troubleshooting Tips</i> .....	28
<i>Reconfiguring a Windows Dial-Up Networking Connection</i> .....	30
<b>Notices</b> .....	<b>31</b>
<i>Declaration of Conformity</i> .....	31
<i>Telecommunications Regulations</i> .....	32

## ***Proprietary Notice and Disclaimer***

Unless otherwise noted, this document and the information herein disclosed are proprietary to *Actiontec* Electronics, Inc. Any person or entity to whom this document is furnished or who otherwise has possession thereof, by acceptance agrees that it will not be copied or reproduced in whole or in part, nor used in any manner except to meet the purposes for which it was delivered.

The information in this document is subject to change without notice and should not be construed as a commitment by *Actiontec*. Although *Actiontec* will make every effort to inform users of substantive errors, *Actiontec* disclaims all liability for any loss or damage resulting from the use of this document or any hardware or software described herein, including without limitation contingent, special or incidental liability.

PC is a trademark of IBM Corporation. MS-DOS, Windows 3.10, Windows 3.11, Windows 95, Windows 98, and Windows NT are trademarks of Microsoft, Inc., K56Flex is a trademark of Lucent Technologies, Inc. and Rockwell International.

## Contacting *Actiontec* Customer Support

*Actiontec* Electronics prides itself on making high-quality, durable, high-performance products. If you should need assistance, the *Actiontec* Technical Support Department is available from 7:00 AM to 7:00 PM Pacific Coast Time, Monday through Friday to provide professional support.

New drivers and firmware are released as need arises to insure maximum compatibility and operation of your new 56K Internal PCI Modem. Find out about these and other new *Actiontec* products on the web at: <http://www.actiontec.com>.

*Actiontec* Electronics, Inc.  
Technical Support  
760 N. Mary Avenue  
Sunnyvale, CA 94086  
Phone: 408-752-7714 (choose option 7)  
Fax: 408-732-0097  
BBS: 408-732-0112  
Email: techsupp@actiontec.com



# Product Registration

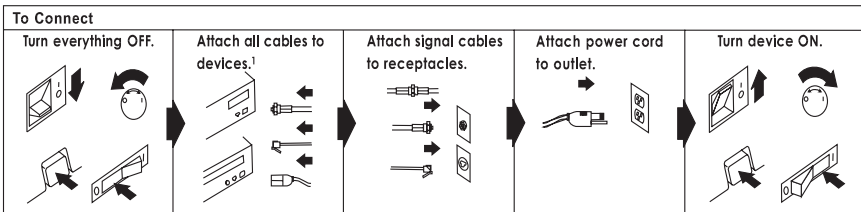
The installation CD that came with your modem contains a file called *registration*. This file will take you to the *Actiontec* web site:

<http://www.actiontec.com/registration>

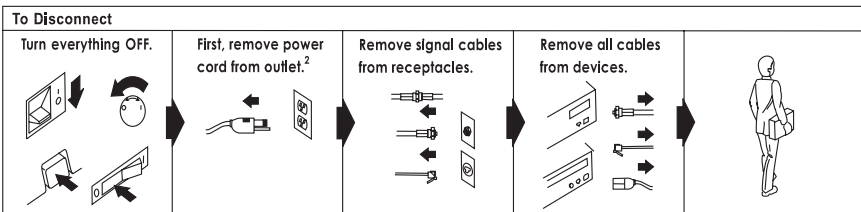
Please fill in the required fields so that you can get prompt support and notification of periodic product upgrades.

## Safety Information

This modem card is for use only in Personal Computers that have installation instructions detailing user installation of adapter cards.



<sup>1</sup> In the U.K., by law, the telephone cable must be connected after the power cord.



<sup>2</sup> In the U.K., by law, the power cord must be disconnected after the telephone line cable.



**DANGER:**

**Electrical current from power, telephone, and communication cables is hazardous. To prevent shock hazard, connect and disconnect cables as shown below when installing, moving or opening the covers of this product or attached devices. The power cord must be used with a properly grounded outlet.**

**To avoid shock hazard:**

- **The power cord must be connected to a properly wired and earthed receptacle.**
- **Any equipment to which this product will be attached must also be connected to properly wired receptacles.**

- **Do not connect or disconnect any cables or perform installation, maintenance, or reconfiguration of this product during an electrical storm.**

**DANGER:**

**When using your telephone equipment basic safety precautions should always be followed to reduce the risk of fire, electrical shock, and injury to persons, including the following:**

- **Never install telephone jacks in wet locations unless the jack is specifically designed for wet locations.**
- **Never touch uninsulated telephone wires or terminals unless the telephone line has been disconnected at the network interface.**
- **Use caution when installing or modifying telephone lines.**
- **Avoid using a telephone (other than a cordless type) during an electrical storm. There may be a remote risk of electrical shock from lightning.**
- **Do not use the telephone to report a gas leak in the vicinity of the leak.**

**CAUTION:**

**Do not connect your modem to a digital PBX (switchboard) system, because you may damage the modem. Modems are designed to function with analog telephone lines, such as residential lines.**

**Do not connect your modem to an ISDN line. In some areas, ISDN (digital) lines are being provided for residences and businesses. These lines may damage the modem.**

**Please note that this modem is fully compatible with analog telephone lines that are connected to a Digital Exchange. A Digital Exchange is used in some areas to supply analog lines to homes and businesses.**

# Product Features

The *Actiontec 56K Internal PCI Modem* contained in this package has the following features.

- Conforms to the ITU-T V.90 specification with auto-negotiation of V.90, V.34, V.32bis, V.32, V.23, V.22bis, V.22, V.21, Bell 212A, and Bell 103 protocols.
- Supports Group 3: class 1 and 2 fax protocols.
- V.42bis and MNP 5 data compression. MNP2 - MNP4, V.42, and LAPM error correction.
- Completely controller-based PCI modem for the widest range of supported operating systems:

DOS

Windows (3.1x, 95, 98, and NT)

OS/2

UNIX

Linux

Modem does not rely on the host CPU to perform any internal functions.

# Package Contents

Before you begin the installation of the modem, make sure that you have the following items that were included with your package.

- A 56K PCI Internal Modem.
- This User's Manual
- Telephone cord
- Installation diskette or CD-ROM.
- Software License Agreement.

As you examine these items, look for any physical damage. Retain your proof of purchase and packaging material in the event that you need to return your 56K PCI Internal Modem.

# Installing the Modem

## **System Preparation**

Before you begin the installation of your 56K Internal PCI Modem, all currently installed modems should be removed. This will help prevent hardware conflicts between the new modem and any previously installed modems.

### For Windows 95/98/NT

Before you physically remove the old modem, go to **Start-Settings-Control Panel** and double-click the **Modems** icon. This will bring-up the **Modems Properties** screen. Find your old modem listed in the **General** window of **Modems Properties**. Click once to highlight the modem and then click the **Remove** button. Click **OK** when done. Shutdown Windows, turn off the computer, and remove the old modem.

### For DOS, Windows 3.1, OS/2 Warp, UnixWare, and Linux

There are no special system preparation procedures required for these operating systems. Be sure that the power is off before removing your old modem or installing the 56K PCI Internal Modem.

#### **Caution:**

Always discharge static electricity before handling your modem. You may discharge static electricity by touching a grounded metal structure or by using any commercially available grounding strap.



Make sure the expansion slot type is PCI, which has a smaller slot to fit the PCI modem card. If you are not familiar with computers or computer hardware or you cannot tell the difference between an ISA slot or PCI slot, obtain the help of someone who has a thorough understanding of computers. You will severely damage your computer if you install the modem in the wrong slot.

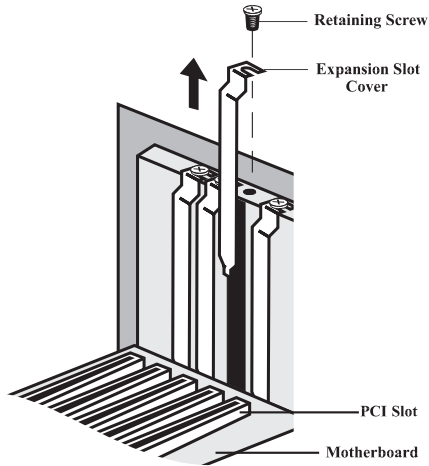
The position of the expansion slots in your computer may differ from the illustrations shown.

## **Hardware Installation**

- Step 1 **Switch off** the computer and all peripheral devices connected to it.
- Step 2 Unplug the computer power cord from the wall outlet.
- Step 3 Remove the computer's cover. Refer to your computer's owner's manual for instructions.

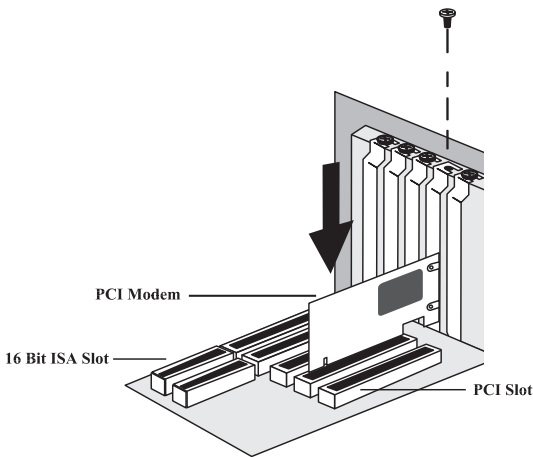
Step 4 Remove the screw securing the expansion slot cover behind one of the computer's available PCI expansion slots. Lift the expansion slot cover out as shown below. See the caution statement on page 6.

**Figure 1: Removing the Backplate**



Step 5 Firmly, but gently, insert the modem into the available PCI expansion slot. Ensure that the card is seated properly before securing it with the screw removed in Step 4, as shown in the following diagram.

**Figure 2: Installing the Modem**



- Step 6 Put the chassis cover back on the computer.
- Step 7 Be sure that all power switches are in the **OFF** position, then reconnect the power cables to the computer and its peripherals.
- Step 8 Connect the telephone line cable to the *Line (Telco)* jack on the back of the modem.
- Step 9 Turn on the computer and proceed to the following sections to configure your modem to the operating system you are using.

# Device Driver Installation and Configuration

## **Configuring Windows 95**

- Step 1 After you have installed the modem into your machine, turn on the power and allow the system to boot normally.
- Step 2 After Windows 95 loads, it will detect new hardware. The modem will be identified as a “*PCI Card*”. Select the option “*Driver from disk provided by hardware manufacturer*” and then click the **OK** button.
- Step 3 Windows will prompt you to insert the driver disk. Insert the installation CD-ROM and click **OK**.
- Step 4 Windows will find the drivers and finish the installation process.
- Step 5 After Windows has copied the files, a *Modem Country Selector* screen will prompt you to select a country. The following countries are supported: Canada, Japan, and the United States. Make the proper selection and then click the **Set** button. Then click **OK**. The modem will be set to use the PSTN of the country you selected. Click **Quit** to exit the country select program and then click **Yes**. (**Note:** This program will be copied to your default hard drive; generally the C:\ drive; in the root directory. Double-click the *FHLOAD.EXE* icon to launch the program if you wish to change the country setting at a latter date.)
- Step 6 To verify that the modem has been properly installed, go to **Start-Settings -Control Panel** and double-click the **Modems** icon. At the *Modems Properties* screen, click the **Diagnostics** tab. Highlight the COM Port icon next to the modem and then click the **More Info** button. The “*ATT*” responses should be listed. This shows that the modem has been correctly installed and is functioning.

## **Configuring Windows 95 OSR2**

- Step 1 After you have installed the modem into your machine, turn on the power and allow the system to boot normally.
- Step 2 Windows 95 will display the **Update Device Driver Wizard** and immediately identify the modem. Insert the installation CD-ROM. Click **Next**.

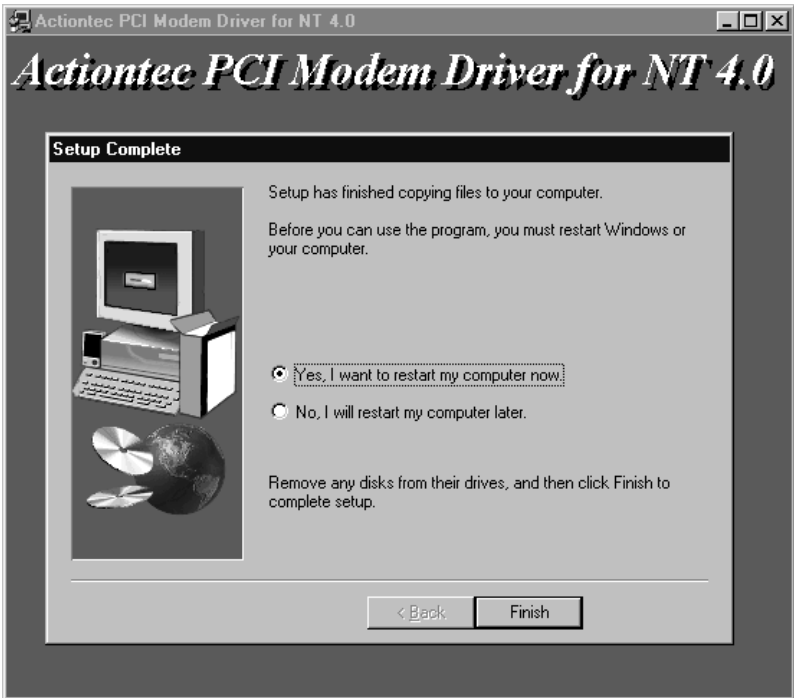
- Step 3 At the next screen, Windows will ask if you want to use the driver it found. Click the **Finish** button. Windows will complete the installation of the drivers for the modem.
- Step 4 To verify that the modem has been properly installed, go to **Start-Settings -Control Panel** and double-click the **Modems** icon. At the *Modems Properties* screen, click the **Diagnostics** tab. Highlight the COM Port icon next to the modem and then click the **More Info** button. The “*AT*” responses should be listed. This shows that the modem has been correctly installed and is functioning.
- Step 5 Turn to the section titled “Configuring Your Modem’s Country Code” for instructions on how to configure the modem to use the PSTN (**P**ublic **S**witched **T**elephone **N**etwork) of your country.

### **Configuring Windows 98**

- Step 1 After you have installed the modem into your machine, turn on the power and allow the system to boot normally.
- Step 2 Windows 98 will immediately display the **Add New Hardware Wizard** and identify the modem. Click the **Next** button.
- Step 3 At the next screen, select the option “*Search for the best driver for your device*” and then click the **Next** button.
- Step 4 At the *Search Options* screen, put a “check” in the box for **Floppy Disk Drive**. Insert the installation CD-ROM and click **Next**.
- Step 5 Windows 98 will find the driver on the floppy disk and re-identify the modem. Click the **Next** button.
- Step 6 After Windows has finished loading the drivers, it will announce the end of the installation process. Click the **Finish** button.
- Step 7 To verify that the modem has been properly installed. Go to **Start-Settings -Control Panel** and double-click the **Modems** icon. At the *Modems Properties* screen, click the **Diagnostics** tab. Highlight the COM Port icon next to the modem and then click the **More Info** button. The “*AT*” responses should be listed. This shows that the modem has been correctly installed and is functioning.
- Step 8 Turn to the section titled “Configuring Your Modem’s Country Code” for instructions on how to configure the modem to use the PSTN (**P**ublic **S**witched **T**elephone **N**etwork) of your country.

## Configuring Windows NT 4.0

- Step 1 After you have installed the modem into your machine, turn on the power and allow the system to boot normally.
- Step 2 Insert the installation CD-ROM. Now go to **Start-Run**. Type in “d:drivers\pciven\winnt\setupnt.exe” and click **OK**.
- Step 3 After the program has finished unpacking the driver and setting it up, a screen like the one shown below will be displayed.



- Step 4 Remove the installation CD-ROM from the CD-ROM drive. Click **Finish** to end the program and restart.
- Step 5 After Windows NT restarts, go to **Start-Settings-Control Panel** and double-click the **Modems** icon.
- Step 6 When the *Install New Modem* screen appears, allow Windows NT to detect your modem. Click the **Next** button.

- Step 7 The COM port will be the next one higher than those currently installed. (In the above example, COM1 is already installed, so the modem is found on COM2.) In most cases Windows NT will detect the modem as a “*Standard Modem*”. Click the **Change** button.
- Step 8 Insert the installation diskette or CD-ROM. Click the **Have Disk** button.
- Step 9 A new window will appear with another list of modems, one of which will be yours. (Yours will probably be the only modem on the list.) Select it and click the **OK** button. At the next screen, click the **Next** button.
- Step 10 Windows NT will complete the installation of the modem. Remove the installation diskette from the floppy disk drive when the installation process is complete.
- Step 11 If you wish to use the modem to dial a Windows NT Remote Access Server or wish to connect to the Internet, you will need to configure Dial-Up Networking. Go to **Start-Settings-Control Panel** and double-click the **Network** icon. (If the networking components of Windows NT 4.0 have not been installed, perform this process before attempting to configure Remote Access Services.) Click the **Services** folder and select **Remote Access Service**. If the Remote Access Service option is not listed (if present, go to Step 12), click the **Add** button. Scroll-down the menu and select **Remote Access Service**. Click the **OK** button. Windows NT may ask for its own installation CD-ROM for some files. Insert as required. After you have installed Remote Access Services, add the appropriate protocols as directed (i.e. TCP/IP for Internet Access).
- Step 12 (Continued from Step 11) At the *Remote Access Setup* dialog box, click on **Add**. Select the modem as the RAS Device and then click the **OK** button.
- Step 13 Click **Continue** to finish the installation.
- Step 14 After Windows NT has completed the binding process, allow Windows to shut down and restart the computer.
- Step 15 After Windows NT has restarted, turn to the section titled “Configuring Your Modem’s Country Code” for instructions on how to configure the modem to use the PSTN (**P**ublic **S**witched **T**elephone **N**etwork) of your country.

## Configuring DOS and Windows 3.1X

**Note:** Not all communications programs are supported under DOS due to PCI IRQ requirements. Unless your application can support IRQ 9 or above and can address nonstandard COM Port addresses, it may not be able to support this modem.

- Step 1 After you have installed the modem into your machine, turn on the power and allow the system to boot normally.
- Step 2 After the system has loaded, insert the installation CD-ROM. At the prompt, type “*D:PMDMCFG.EXE*” and press enter. (You may need to change the drive letter from D to the letter of your CD-ROM drive.)
- Step 3 A message similar to the one shown below will be displayed. (Actual values will change from system to system)

```
Found V.90 PCI Data/Fax Modem
-----
I/O Port:      FC00
IRQ#:          11
```

- Step 4 Write down the IRQ Number and Base I/O Address that have been assigned to the modem. If the default Base I/O Address is **greater than 7900**, you will need to add a statement to your *autoexec.bat* file to preset this address to a specific value. **Go to Step 5**. If your default address is **below 7900**, **go to Step 6**. Before you proceed, copy the *PMDMCFG.EXE* file to the root directory of your default hard drive (usually the C:> drive).
- Step 5 If the default *Base I/O Address* in Step 3 was greater than 7900 (If less than or equal to 7900, do not perform this procedure.), modify your **autoexec.bat** file to preset the *Base I/O Address* of the modem to a specific value by adding the following statement:  
**C:\PMDMCFG /P7900**
- Step 6 Use the default I/O Port Address (or 7900 if you modified your *autoexec.bat* file) and the IRQ Number you recorded in Step 4 to set up your DOS applications. You may also need to assign an unused COM Port to the modem. The preferred *COM Port* setting is *COM4*.
- Step 7 After you have set up your applications to use the modem, you will need to issue an *AT Command* to configure the modem to use the PSTN (**P**ublic **S**witched **T**elephone **N**etwork) of your country. The modem can be configured for: Canada, Japan, and the United States.

To configure the modem's country setting, open a terminal program such as **Hyper Terminal**. At the command prompt, type: *at<enter>*. The response should be "OK". Now type one of the following commands depending on the country where the modem will be operated.

Canada:	<i>at%T19,0,1c&lt;enter&gt;</i>
Japan:	<i>at%T19,0,10&lt;enter&gt;</i>
United States:	<i>at%T19,0,19&lt;enter&gt;</i>

If the command was properly entered, the response will be "OK". A response of "ERROR" will indicate an incorrect entry. After the command has been entered and accepted, the modem will default to this setting every time you turn on the system. To find your current country setting, issue the command *ATI9<enter>*. The response will indicate your current country setting (Canada, Japan, or North America).

### **Windows 3.1X**

- Step 8 After you have modified your autoexec.bat file to preset the I/O Port address and have obtained the modem's IRQ Number by running the DOS "PMDMCFG.EXE" program, load Windows 3.1X.
- Step 9 Go to **Main-Control Panel-Ports**. At the *Ports* screen, select an unused COM Port (the preferred setting is COM4) and click on **Settings** then on the **Advanced** button.
- Step 10 Change the value for the *Base I/O Address* and the *IRQ* to the same value you wrote down in Step 4. If you modified your autoexec.bat file in Step 5, use 7900 as your *Base I/O Address*. Click the **OK** button when done.
- Step 11 Windows will prompt you to reboot. Remove the diskette from the floppy disk drive and then click **Yes**.
- Step 12 After the system reboots, restart Windows 3.1X and configure your applications to use the same COM Port you assigned to the modem in Step 10. Your modem should now be properly installed and ready for use.
- Step 13 If you did not issue the *Country Code Command* during the DOS installation, turn to the section titled "Configuring Your Modem's Country Code" for instructions on how to configure the modem to use the PSTN (**P**ublic **S**witched **T**elephone **N**etwork) of your country.

## Configuring OS/2 WARP

**Note:** If your computer system uses Phoenix BIOS, you must disable PnP OS support for the modem to be recognized in OS/2. See your computer users manual for information on accessing and changing your system BIOS settings.

Step 1 After you have installed the modem into your machine, turn on the power and as OS/2 boots, look for the OS/2 logo in the upper left corner of the screen. When you see this logo, press the **Alt** and the **F1** key at the same time to bring up the *Startup Menu*. Select **F5** from the menu for *Full Hardware Detection*.

Step 2 After OS/2 boots, insert the V.90 PCI modem's installation CD-ROM.

Step 3 Click the **PCDOS** button on the OS/2 screen. At the command prompt type:

```
A:PMDMCFG <enter>
```

Step 4 A message similar to the one shown below will be displayed. (Actual values will change from system to system)

```
Found V.90 PCI Data/Fax Modem
-----
I/O Port:      FC00
IRQ#:          11
```

Step 5 Record these values. They will be needed in Step 9 when you modify your config.sys file and latter when you configure your applications.

Step 6 Be sure the CD-ROM is still in the CD-ROM drive. Now type:

```
COPY x:\OS2\COM.SYS C:\OS2\BOOT\COM.SYS<enter>
```

Where x is the letter of your CD-ROM drive.

**Note:** This will replace your resident COM.SYS file with a new version. OS/2 will not prompt you to overwrite the existing file. Check that the path statements are correct before you hit <enter>.

Step 7 Remove the installation CD-ROM.

Step 8 Click the **OS/2** command prompt button on the OS/2 screen. At the command prompt type: **e CONFIG.SYS <enter>**

Step 9 You will need to modify your config.sys file. Find the entry for **COM.SYS** (It should be just after the *KEYBOARD.DCP* statement and before the *VIOTBL.DCP* statement. If it is not, arrange the order of the statements so that this requirement is satisfied.) If there is no **COM.SYS** or **VCOM.SYS** statement, add these to your config.sys file (see the example for the proper syntax). Be sure these statements are between the *KEYBOARD.DCP* and *VIOTBL.DCP* entries.

Modify the **COM.SYS** statement using the values you recorded in Step 4:

```
DEVICE=C:\OS2\BOOT\COM.SYS (x,yyyy,n)
DEVICE=C:\OS2\MDOS\VCOM.SYS
```

Where: **x** is either 1, 2, 3, or 4 (COM4 is recommended)  
**yyyy** is the I/O Port Address ( in Hexadecimal) of the modem  
**n** is the IRQ number of the modem

Example:       **DEVICE=C:\OS2\BOOT\COM.SYS (4,F400,11)**  
                 **DEVICE=C:\OS2\MDOS\VCOM.SYS**

Step 10 Save the new config.sys file. Check that the installation diskette has been removed from the floppy disk drive and then reboot the system.

Step 11 You will now be able to use your communications programs at the COM Port you assigned in Step 9.

## **Configuring UnixWare**

**Note:** These installation instructions are for UnixWare 2.1. Installation on other versions of Unix may be different. Please consult your operating system manual or help text for instructions regarding installation of a serial modem.

Step 1 After you have installed the modem into your machine, turn on the power and allow the system to boot normally. Log in to Unix as “*Desktop User*”.

Step 2 Go to **Administrative\_Tools-Hardware\_Setup**. This will require the root password.

Step 3 In the **Hardware\_Setup** main menu, choose **Hardware Device Configuration** and press <enter>.

- Step 4 Under the **Device Name** column, try to locate all of the “Unknown Devices”. For each unknown device you find, move the cursor to each row and press **F6** for information. Look for the item “Board ID”. You will be looking for a board with ID “**0x11c10480**”.
- Step 5 Once you find the board, press <enter> to back out to the previous screen. Now use the tab key to move the cursor to the “**Device Name**” field for that board. Press the **F2** key to bring up the list of choices.
- Step 6 In the **Device Name Choices** screen, choose **COM Port** or **asyn**, then press the <enter> key to go back to the **Hardware Devices Configuration** screen.
- Step 7 Press the **F10** key to return to the **Main Menu**. Now choose “**Apply Changes & Exit DCU**”.
- Step 8 Reboot the computer. Turn to the section titled “Configuring Your Modem’s Country Code” for instructions on how to configure the modem to use the PSTN (**P**ublic **S**witched **T**elephone **N**etwork) of your country.

**Notes:** If you cannot find a board with the proper ID, then exit UnixWare and power down. Check that the PCI Modem is correctly seated in the PCI slot. Remove and reseat the card if required.

To find out which COM Port is assigned to the modem, choose **Software Device Driver Selections** from the **Main Menu**. Now choose **Communications Cards** and press **F6** to get the information for the **asyn** driver.

To test the modem, UnixWare provides a utility that can be used as a terminal program. To use this program, log in as “root” or get an x-terminal “su root”. Then run: /usr/lib/uucp/modem <device> <baudrate>.

### ***Configuring the Modem For Linux (Verified for Red Hat 5.2 and 6.0)***

**Note:** The kernel should have serial support and you should have some communications program, such as minicom, installed.

The modem will come configured to work on a COM port referred to by the files /dev/ttySx or /dev/cuax. If these files do not exist in your /dev directory, they can be added as follows.

- Step 1 As root, type (the # is the prompt):  
# cd dev

```
# ./MAKEDEV ttySx
```

Where x is the COM port. This will create the appropriate files.

**Note:** There is no MAKEDEV in OpenLinux. The commands will be as follows (as root):

```
# mknod /dev/ttyS4 c 4 68  
# mknod /dev/cua4 c 5 68
```

**Note:** Versions of Linux with the 2.2x kernel or newer versions of Linux, the /dev/cua4 device is obsolete.

**Step 2** Many programs use the /dev/modem symbolic link to refer to the modem. To create this link, type:

```
# ln -s /dev/ttyS4 /dev/modem
```

Typing

```
# chmod 666 /dev/ttySx  
# chmod 666 /dev/modem
```

(where x is the COM port) will let all users access the modem.

**Step 3** Determine the port and IRQ assigned to the device by typing:

```
# cat /proc/pci
```

The following is an example of a possible outcome:

```
5.      Non-prefetchable 32 bit memory at 0x00000000.  
Bus 0, device 17, function 0:  
  Communication controller: Unknown vendor Unknown de-  
vice (rev 0).  
  Vendor id=11c1. Device id=480  
  Medium devsel. Fast back-to-back capable.  IRQ 11.  
Master Capable  
No Bursts  
  Min Gnt=252.Max Lat=14  
  Non-prefetchable 32 bit memory at 0xe4000000.  
  I/O at 0x6400.  
  I/O at 0x6800.  
  I/O at 0x6c00.
```

Step 4 Write down the first input/output range and IRQ. In this case, the I/O address is 0x6400 and the IRQ is 11. Type

```
# setserial /dev/modem uart 16550A port 0x6400 irq 11
```

(The IRQ and port may vary depending on the results from step 3.)

Step 5 Try out the settings in a program such as minicom.

Step 6 If the settings work, then add the line above in the `/etc/rc.d/rc.local` file. This way, the modem will be set properly each time Linux is booted.

Step 7 To set Linux to configure the modem on boot-up, there are several options. One method is going to the `/etc/rc.d/` directory, and using an editing program such as `jed` edit the `rc.local` file, and insert

```
setserial /dev/modem uart 16550A prot 0x6400 irq 11
```

as the last line.

### Setting up and using PPP

Note: A PPP package (such as `ppp-2.3.5-1.i386.rpm`) can be found on the installation CD-ROM or from `ftp://ftp.redhat.com`. The kernel should also have TCP/IP support enabled.

To be able to set up and use PPP, you must have an Internet Service Provider (ISP). The following information from the ISP is needed:

- user name and password
- phone number(s) used to dial into the ISP's modems
- the IP address assigned by the ISP (this is not necessary if the ISP dynamically assigns an IP address each time you connect)
- the IP address of the ISP's Domain Name Server. (Many ISPs have more than one server. You need at least one in order to translate a URL such as `www.actiontec.com` into an IP address, although you can still set up PPP without it.)

There are many tools that make setting up PPP easier. This section explains some basic ways to set up PPP.

## Setting Up and Using PPP (Minimal Setup)

This section explains one way to set up a PPP connection from the command line. It does not go into tools such as `linuxconf` or `KPPP`.

Step 1 The documentation for PPP comes with some sample dial-in scripts. They are located under `/usr/doc/ppp-2.3.5/scripts`. Copy `ppp-on`, `ppp-on-dial` and `ppp-off` into the `/etc/ppp` directory, which should have also been created when PPP was installed.

```
# cp /usr/doc/ppp-2.3.5/scripts/ppp-* /etc/ppp
```

This must be done at root. `ppp-on-dialer` is a script which calls the `chat` program, which communicates with the modem on making a connection.

Step 2 Open up `ppp-on` in a text editor and make the changes to the parameters at the top of the file. Also, at the bottom of the file, change `/dev/ttyS0` to `/dev/ttyS4` and `38400` to `115200`. Save and close the file.

Step 3 Open up `ppp-on-dialer` in a text editor and change the setting after `TIMEOUT` (probably `30`) to `60`. If this script is to be accessible to other users besides root, change the line which reads:

```
exec chat -v
```

to include the path for the `chat` program (usually `/usr/sbin/chat`) as follows:

```
exec /usr/sbin/chat -v
```

Then save and close the file.

Step 4 Open up `/etc/ppp/options`. Make sure there is a line that says “lock” in it. This prevents other processes from accessing the modem while it is in use. If it is not there, add it in and save and close the file.

Step 5 Set the permissions on the scripts to be executable by typing

```
# chmod +x ppp-o*
```

Since the password is stored unencrypted in `ppp-on`, it is a good idea to set permissions on that file to `711` (read/write/execute for owner and execute-only for everyone else), and change owner and group to root by typing (as root):

```
# chmod 711 ppp-on
# chown root ppp-on
# chgrp root ppp-on
```

Step 6 Open up the `/etc/resolv.conf` file. In it, enter the IP addresses of the ISP's DNS's as follows:

```
nameserver x.x.x.x
```

where `x.x.x.x` is the IP address of the DNS. Enter each one on its own line in the same format.

Step 7 To test the connection, run `/etc/ppp/ppp-on` by typing it (full path also) at the prompt. The prompt should return, and the modem should start dialing soon.

Step 8 Run `ifconfig`. You should see a listing for `ppp0` if the connection was successful.

Step 9 To disconnect, run `/etc/ppp/ppp-off`

Step 10 If this configuration works, you can make a symbolic link to your `ppp-on` and `ppp-off` scripts by typing:

```
# ln -s /etc/ppp/ppp-on /usr/bin/ppp-on
# ln -s /etc/ppp/ppp-off /usr/bin/ppp-off
```

### Using the GNOME Dialer Applet

The GNOME dialer applet uses the `/etc/ppp/ppp-on` script to connect and the `/etc/ppp/ppp-off` script to disconnect. Be sure those are set up as shown in the previous section before using the dialer applet.

Step 1 Start the applet by right-clicking on the panel and select the Add Applet menu. The dialer applet should be in the Networking sub-menu.

Step 2 To connect, click Play/Pause.

Step 3 To disconnect, click Stop.

### Configuring And Using kppp

The KPPP package must be installed prior to using these instructions. The file can either be obtained as part of the `kde-applications` package or from `kdenetwork-ppp-*.rpm`

- Step 1 Open up KPPP from the KDE menu. It is most likely located under the Internet subfolder.
- Step 2 When KPPP starts up, click the Setup button.
- Step 3 Before setting up individual PPP accounts, the modem itself needs to be configured. Click on the Device tab, and verify that the modem device refers to /dev/modem (kppp does not have an entry for /dev/ttyS4, so /dev/modem is used instead). If you do not have /dev/modem set up, refer to the section labeled “Configuring the Modem”. Also, set the connection speed to 115200.
- Step 4 Go to the Modem tab. Click on Modem Commands and change the last setting under Volume to MIL3. Click OK. Use the slider to adjust the volume of the modem, if desired. The modem speaker is off when the slider is all the way to the left. Now click on Query Modem. A window should come up and return the modem’s ATI strings, if the modem was configured properly. Close this window after viewing it.
- Step 5 Now, back in the KPPP configuration window, go to the Accounts tab and click New. Enter a name for the connection, your ISP’s phone number, and any other information provided by the ISP to make this connection (except the user name and password). Note: *Selecting “Save Password” as the password will cause the password to be saved into a plain text file.* Click OK when done.
- Step 6 Click OK to close the kppp configuration window. In the kppp main window, enter the user name and password for the connection. Click Connect to dial.
- Step 7 When the call is completed, the dialer window will minimize itself. To disconnect, restore the dialer window and click Disconnect.

### Setting Up and Using The linuxconf Dialer

Red Hat’s linuxconf utility can only be run by root or users with superuser privileges.

- Step 1 Start up linuxconf by typing linuxconf at the prompt, or, if root, selecting it from the Control Panel.
- Step 2 The menu item for PPP is in Config > Networking > Client Tasks. Select it and click add to make a new profile.

Step 3 Choose PPP and click Accept

Step 4 Enter the ISP's phone number, your user name and password. Note that the password will be stored unencrypted in a text file, so if security is an issue, you may choose to not enter the password until actually dialing.

Step 5 Click Accept to save the new record.

Step 6 To dial, select the connection from the list of connections. A new Interface tab will appear. If you did not enter your password when setting up your connection, go to the Connection tab and enter the password. When exiting the dialer, click Cancel to exit so that your password will not be saved.

Step 7 Disconnecting is similar: Start up linuxconf (if you closed it), go to the PPP/SLIP/PLIP menu item, select your connection and click disconnect.

### Some General Tips

- The permissions on pppd have to be changed to suid root if other users besides root are to be able to make PPP connections. This is the same with KPPP. An alternative is to create a “modem” group and give read/write permissions to that group. Then add the users who are allowed to use the modem to that group.
- A secure way to start up PPP is to make a login specifically for PPP access whose shell is a call to pppd.
- Starting pppd with the “debug” option prints some informative information to the screen
- The KPPP FAQ provides some good additional troubleshooting tips.

## Configuring Your Modem's Country Code

After following the steps for your operating system and after the system has restarted, you may need to issue an *AT Command* to configure the modem to use the PSTN (Public Switched Telephone Network) of your country. The modem can be configured for: Canada, Japan, and the United States.

To configure the modem's country setting, open a terminal program such as **Hyper Terminal**. At the command prompt, type: *at<enter>*. The response should be "OK". Now type one of the following commands depending on the country where the modem will be operated.

Canada:            *at%T19,0,1c<enter>*

Japan:             *at%T19,0,10<enter>*

United States:    *at%T19,0,19<enter>*

If the command was properly entered, the response will be "OK". A response of "ERROR" will indicate an incorrect entry. After the command has been entered and accepted, the modem will default to this setting every time you turn on the system. To find your current country setting, issue the command *ATI9<enter>*. The response will indicate your current country setting (Canada, Japan, or North America).

# AT Commands Affecting ITU-T V.90 Operation

There are 3 S-registers which support K56flex, V.90, and V.34 connections. The S37 register is used to control the upstream V.34 rate. S38 sets the maximum downstream speed that the modem attempts to connect. To disable V.90, set S38 to 0. Use the S109 register to select between K56flex and V.90 protocols.

Use the S109 register to disable 56K connections or to choose between K56flex and V.90 protocols. The default setting (S109=1) will attempt K56flex and then V.34 depending upon the central site modem being called and your phone line conditions.

---

<b>S37 (default: 0)</b>	<b>Upstream (V.34) Rate</b>
-------------------------	-----------------------------

---

S37 = 0	maximum modem speed ( <b>default</b> )
S37 = 1	reserved
S37 = 2	1200 bits/s and 75 bits/s
S37 = 3	300 bits/s
S37 = 4	reserved
S37 = 5	1200 bits/s
S37 = 6	2400 bits/s
S37 = 7	4800 bits/s
S37 = 8	7200 bits/s
S37 = 9	9600 bits/s
S37 = 10	12000 bits/s
S37 = 11	14400 bits/s
S37 = 12	16800 bits/s
S37 = 13	19200 bits/s
S37 = 14	21600 bits/s
S37 = 15	24000 bits/s
S37 = 16	26400 bits/s
S37 = 17	28800 bits/s
S37 = 18	31200 bits/s
S37 = 19	33600 bits/s

---

<b>S38 (default: 1)</b>	<b>56K Dial Line Rate</b>
-------------------------	---------------------------

---

S38 = 0	Disable all 56K connections
S38 = 1	autorate - maximum achievable connection ( <b>default</b> )
S38 = 2	29333 bits / s
S38 = 3	30666 bits / s
S38 = 4	32000 bits / s
S38 = 5	33333 bits / s
S38 = 6	34666 bits / s

S38 = 7	36000 bits / s
S38 = 8	37333 bits / s
S38 = 9	38666 bits / s
S38 = 10	40000 bits / s
S38 = 12	42666 bits / s
S38 = 13	44000 bits / s
S38 = 14	45333 bits / s
S38 = 15	46666 bits / s
S38 = 16	48000 bits / s
S38 = 17	49333 bits / s
S38 = 18	50666 bits / s
S38 = 19	52000 bits / s
S38 = 20	53333 bits / s

---

**S109 (default: 1)                      K56flex and V.90 Selection**

---

S109 = 0	Disable <u>all</u> 56K connections
S109 = 1	K56flex only, V.90 disabled ( <b>default</b> )
S109 = 2	V.90 only. K56flex disabled

**Examples**

- at&fs38=0s109=0**                      This will disable all 56K connections
- at&fs38=1s109=1s37=14** This will disable V.90 connections. The modem will try to connect at K56flex rates with the V.34 upstream rate limited to 21.6K bps.
- at&fs38=1s109=2**                      This will cause the modem to attempt a V.90 connection only. If V.90 is not achieved, it will fall back to V.34 rates.
- at&fs38=10s109=2**                      This will cause the modem to attempt a V.90 connection at 40K bps. It will fall back to slower speeds if it cannot achieve or maintain this rate.

As a suggested “init string” in your communications program, use:

**at&fw2s109=2s38=1s37=14**

# Help and Service Information

## **General Troubleshooting Tips**

### **Modem is not detected on power-up:**

- Check your system BIOS IRQ assignments and make sure that at least *two* interrupts (especially any unused interrupts) have been assigned to the PCI bus. Go to your system BIOS's Setup routine and find the Plug-N-Play settings. These settings can be found within the *Advanced, PNP/PCI Configuration, or Plug and Play Configuration* sections depending on the BIOS Manufacturer. Next, verify that at least two IRQs have been set so that the PCI bus has access to them (some BIOS don't allow individual selection of interrupts to ISA, Plug-N-Play, or PCI). These settings can be called ICU, ICU/PCI, PCI, or PNP depending on your BIOS version and manufacturer. Do not set all the interrupts to "ISA" only or to "Legacy ISA". Pay attention to the IRQ usage of the other peripherals in your system. Do not reassign an interrupt that is already in use by an ISA card to the PCI bus.
- Turn off the power and unplug the power cord from the system. Check that the 56K PCI Internal Modem is properly inserted into the PCI slot. Remove the card and reinsert it if necessary.
- Try inserting the PCI Modem into another PCI slot. The slot you are using may have a problem. Try all available slots if necessary.

### **No dial tone error:**

- You may have too many devices connected to the phone line. Remove all other equipment.
- Your modem may not recognize the dial tone. Use the *AT%T19,0,nn* command or the Region Selection Program to reconfigure the modem's *Country Setting*.

### **Communications software does not work:**

- Some communication software packages need to be configured to the same COM Port and/ or IRQ as the modem.

### **Nothing appears on the screen when I type in terminal mode:**

- Issue the command *ATE1* to the modem to enable command echo. This will let you see what you type.

### **Can't Connect at 56K Rates:**

Note: Current FCC regulations limit your maximum connection rate to 53Kbits per sec.

- The number you are calling may not support V.90 or K56flex protocols. Some ISP's (**I**nternet **S**ervice **P**roviders) have special numbers that you must call to connect at 56K rates. Contact your service provider and ask if the number you are calling supports V.90 or K56flex connections to their service.
- In Windows 95/98/NT, check the maximum speed setting in the **Modem Properties** window. Go to **Start-Settings-Control Panel** and double-click the **Modems** icon. Highlight your modem by clicking once on the icon next to the modem and then click the **Properties** button. Select the **General** tab and look at the setting in the *Maximum speed* box. Make sure this is set to 115200.
- You may have too many telephone devices connected to the phone line. To help your modem achieve the best connection possible, remove all extra devices connected to the telephone line when the modem is in use. This includes extension phones, answering machines, and especially cordless phone recharger bases.

### **"Open COM Port" Error Message in Windows 95/98/NT:**

- You may have Dial-Up Networking connections configured for an old modem on the same COM Port. Reconfigure these to point to the PCI Modem. See the next section for instructions.
- If the Dial-Up Networking connections have all been reconfigured and the error persists, some other program running in the background is accessing the modem. Close any applications that are open on the Taskbar or that have icons visible in the sys-tray, including fax software, dialers, and Internet browsers. Any program that can address a COM Port or uses a modem can cause this error.

## ***Reconfiguring a Windows Dial-Up Networking Connection***

When you attempt to check your modem after configuration, or to configure a Dial-Up Networking connection, Windows may issue a “COM Port open” error message. This means that previously installed modem configurations using the same COM Port as the *Actiontec 56K PCI Internal Modem* may be interfering with its operation. This interference is most likely due to the presence of an old Dial-Up Networking configuration. The problem is easily corrected by following these simple steps.

- Step 1 Double-click the **My Computer** icon located on the Windows Desktop screen.
- Step 2 In **My Computer**, double-click the **Dial-Up Networking** folder icon. Find the dial-up profile for any old modem(s). Using your **right** mouse button, click **once (1 time)** on the icon to bring up the menu.
- Step 3 Select **Properties** from the menu to bring up the **Properties** screen. In the **Connect using** box, select your new modem and then click the **OK** button. This will reconfigure the dial-up profile for the new modem. After you have clicked the **OK** button in the **Properties** screen, restart the computer. This should clear the “Open COM Port” error.

# Notices

## *Declaration of Conformity*

This equipment has been tested and found to comply with the limits for a Class B digital device, pursuant to Part 15 of the FCC Rules. These limits are designed to provide reasonable protection against harmful interference in a residential installation. This equipment generates, uses and can radiate radio frequency energy and, if not installed and used in accordance with the instructions, may cause harmful interference to radio communications. However, there is no guarantee that interference will not occur in a particular installation. If this equipment does cause harmful interference to radio and television reception, the user is encouraged to try to correct the interference by one or more of the following measures:

- Reorient the receiving antenna.
- Increase the separation between the equipment and receiver.
- Connect the equipment into an outlet on a circuit different from that to which the receiver is connected.
- Consult the dealer or an experienced radio/TV technician for help.

**CAUTION: CHANGES OR MODIFICATIONS NOT EXPRESSLY APPROVED BY THE PARTY RESPONSIBLE FOR COMPLIANCE COULD VOID THE USER'S AUTHORITY TO OPERATE THE EQUIPMENT.**

must also be installed using an acceptable method of connection. In some cases, the company's inside wiring associated with a single line individual service may be extended by means of a certified connector assembly (telephone extension cord). The customer should be aware that compliance with the above conditions may not prevent degradation of service in some situations.

Repairs to certified equipment should be made by an authorized Canadian maintenance facility designated by the supplier. Any repairs or alterations made by the user to this equipment, or equipment malfunctions, may give the telecommunications company cause to request the user to disconnect the equipment.

Users should ensure for their own protection that the electrical ground connections of the power utility, telephone lines, and internal metallic water pipe system, if present, are connected together. This precaution may be particularly important in rural areas.

## ***Telecommunications Regulations***

The following three statements are provided in accordance with the Federal Communications Commission (FCC) and CDOC (Canada) regulations. Please read these statements carefully before installing your modem.

### ***FCC Part 68 Requirements***

This equipment complies with Part 68 of the FCC Rules. On the bottom of this equipment is a label that contains, among other information, the FCC Registration Number and Ringer Equivalence Number (REN) for this equipment. If requested, this information must be given to the telephone company.

The REN is used to determine the maximum number of devices connected to your telephone line that will ring in response to an incoming call. In most, but not all, areas, the total REN of devices connected to a line should not exceed five (5.0). To find out the total permitted in your area, contact your local telephone company.

If your telephone equipment causes harm to the telephone network, the telephone company can discontinue your service temporarily. If possible, the company will notify you in advance. But if advance notice isn't practical, you will be notified as soon as possible. You will be informed of your right to file a complaint with the FCC.

Your telephone company can make changes in its facilities, equipment, operations, or procedures that could affect the operation of your equipment. If so, you will be notified in advance so you can make the changes needed to maintain uninterrupted service.

If you experience trouble with this equipment, please contact the manufacturer at the address given in this manual. The telephone company may ask that you disconnect this equipment from the network until the problem has been corrected or until you are sure that the equipment is not malfunctioning.

### ***Canadian Department Of Communications (CDOC) Certification Label:***

**NOTICE:** The Canadian Department of Communications label identifies certified equipment. This certification means that the equipment meets certain telecommunications network protective, operational, and safety requirements. The Department does not guarantee the equipment will operate to the user's satisfaction.

Before installing this equipment, users should ensure that it is permissible to be connected to the facilities of the local telecommunications company. The equipment

**CAUTION:** Users should not attempt to make such connections themselves, but should contact the appropriate electric inspection authority, or electrician, as appropriate.

**NOTICE:** The LOAD NUMBER (LN) assigned to each terminal device denotes the percentage of the total load to be connected to a telephone loop which is used by the device, to prevent overloading. The termination on a loop may consist of any combination of devices subject only to the requirement that the sum of the LOAD NUMBERS of all the devices does not exceed 100.

***Industry Canada Class B Emission Compliance Statement***

This Class B digital apparatus meets the requirements of the Canadian Interference Causing Equipment Regulations.